

Circle 70  
360

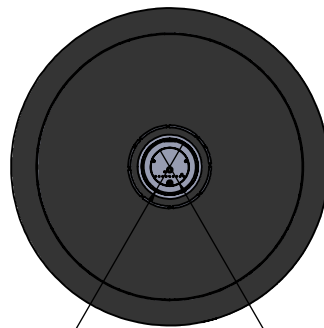
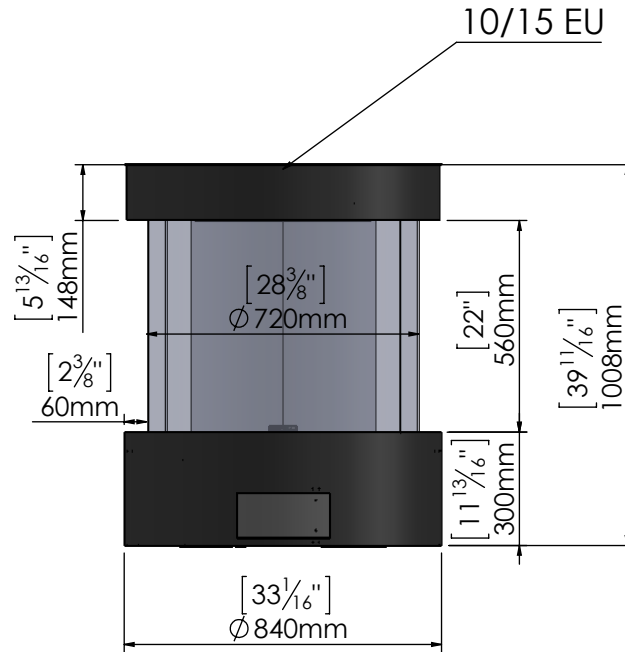
Flat Base  
Flat Top

Please Note:

Order No.(fill in by Ortal): \_\_\_\_\_

Customer Signature: \_\_\_\_\_ Date: \_\_\_\_\_

Marketing Representative Signature: \_\_\_\_\_ Date: \_\_\_\_\_



[5 7/8]  
Ø 150mm

[4]  
Ø 102mm

