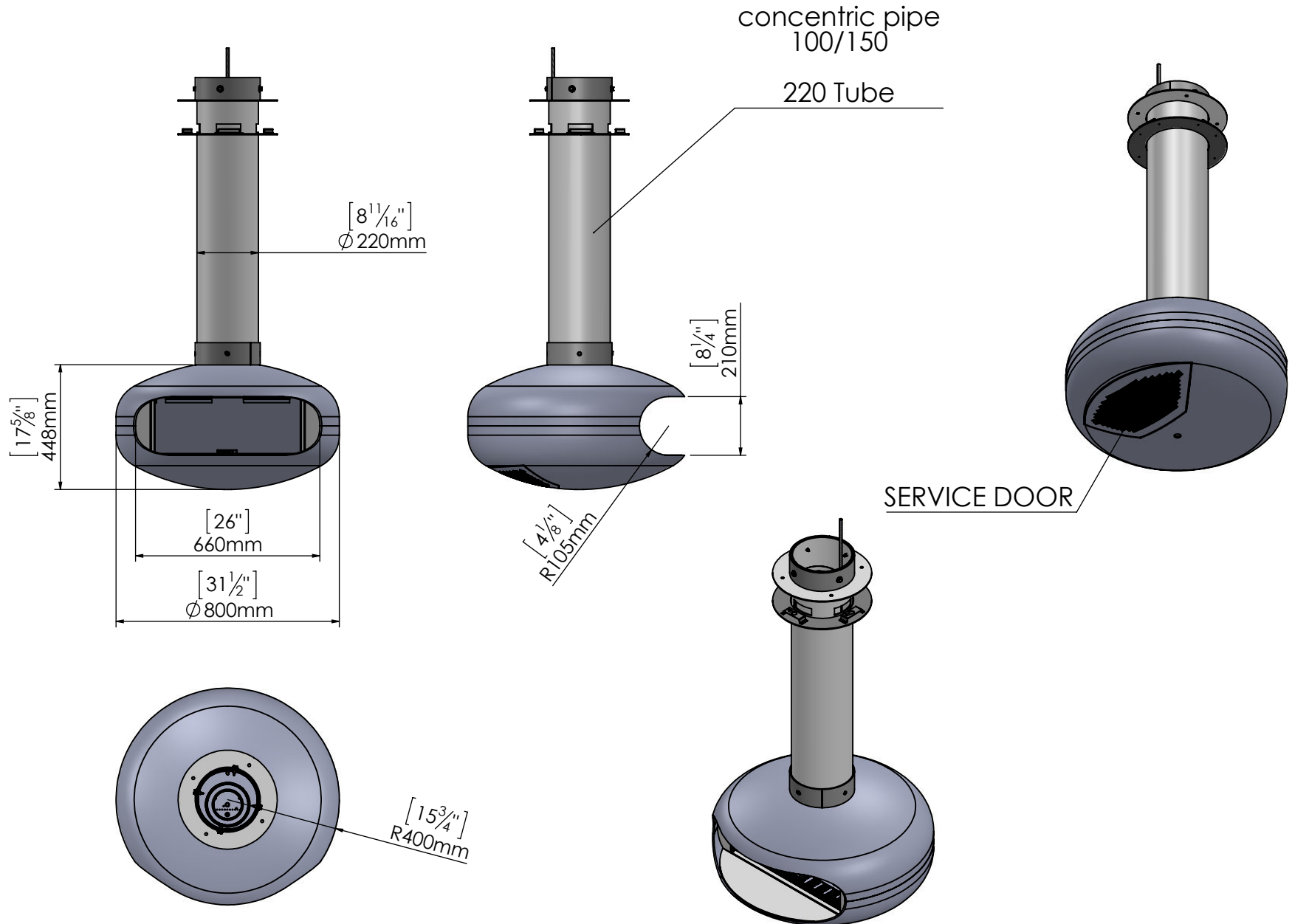
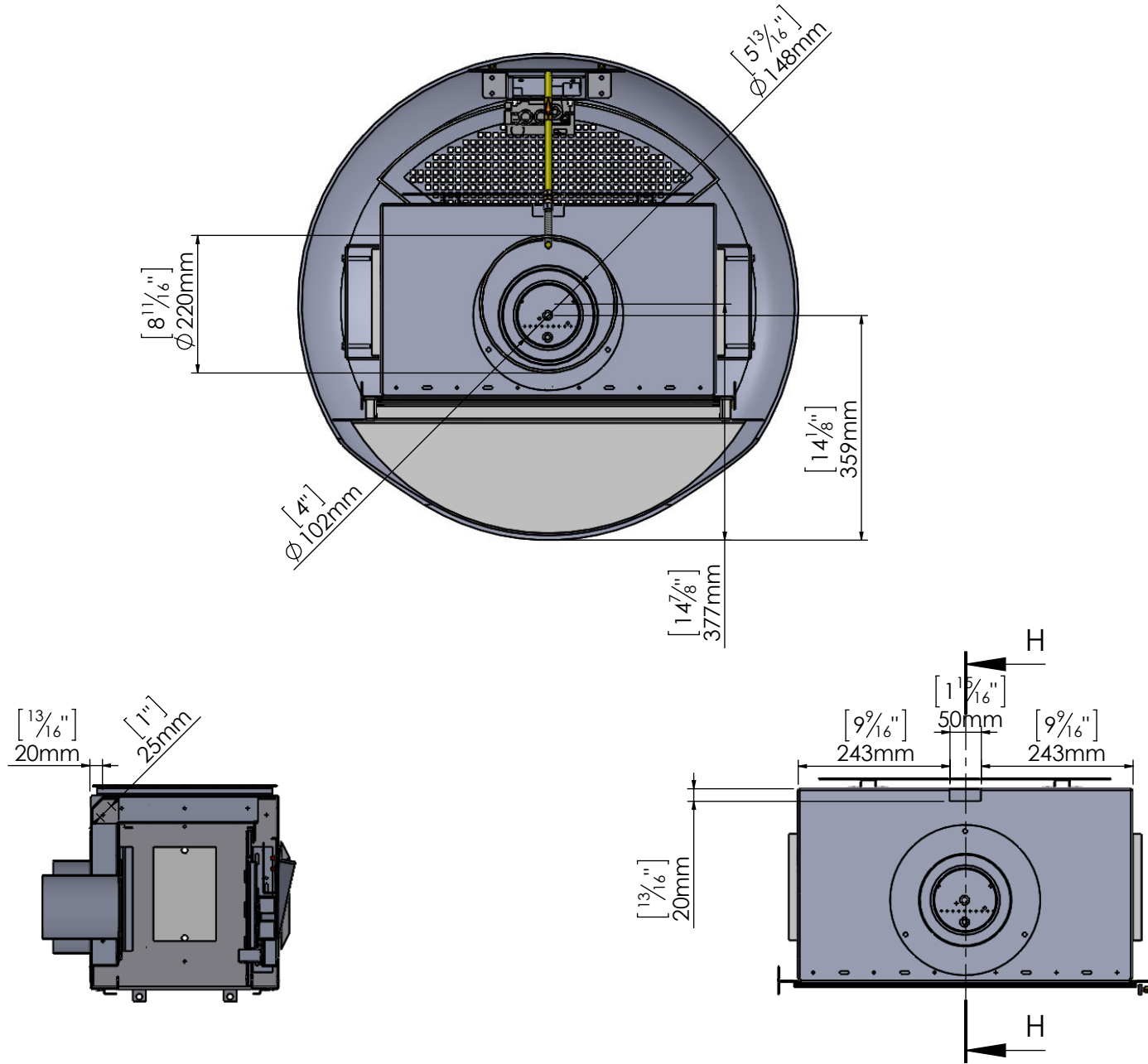
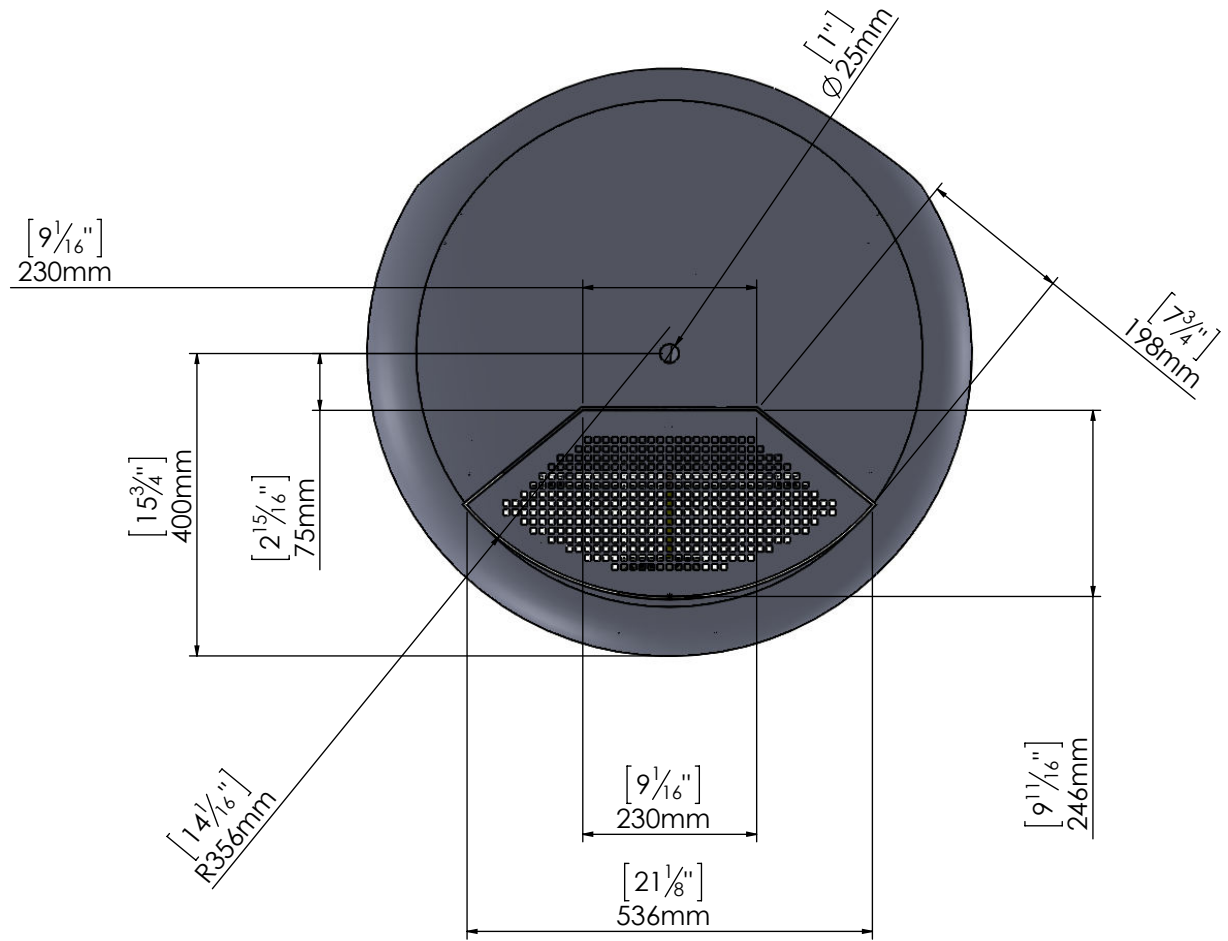


6080 Oval

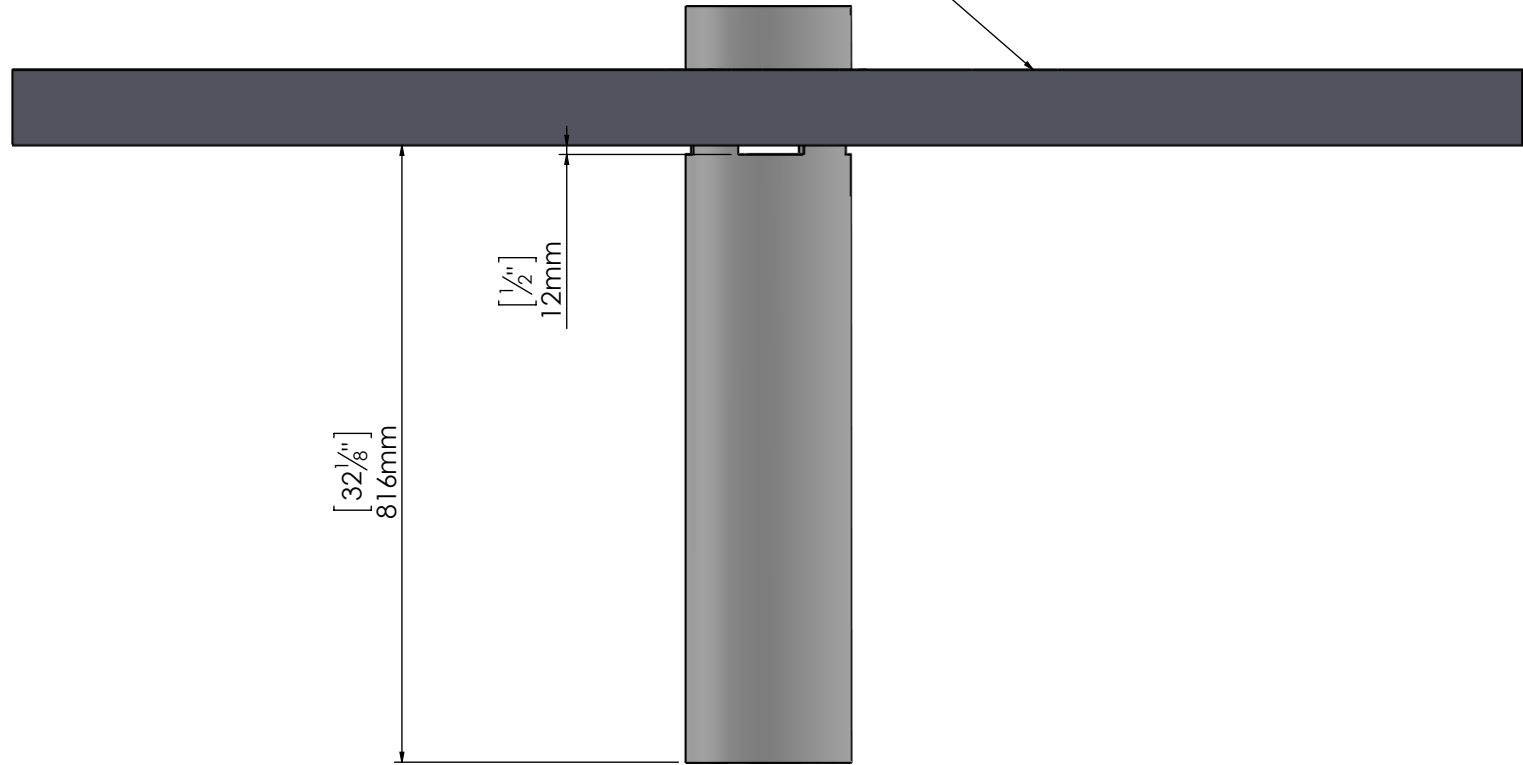
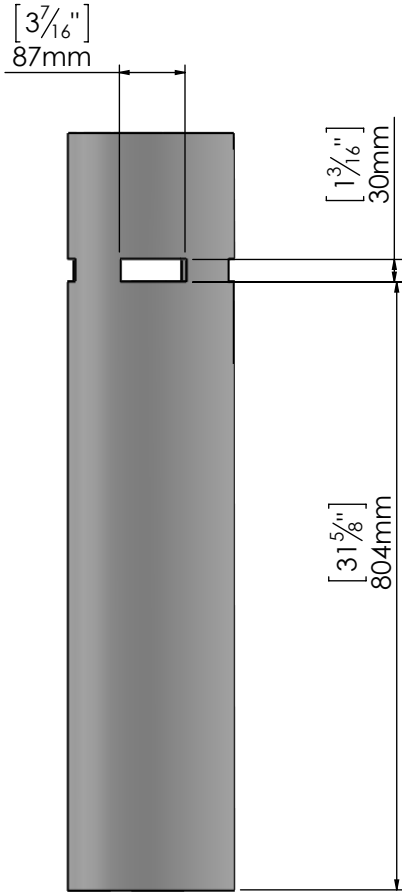


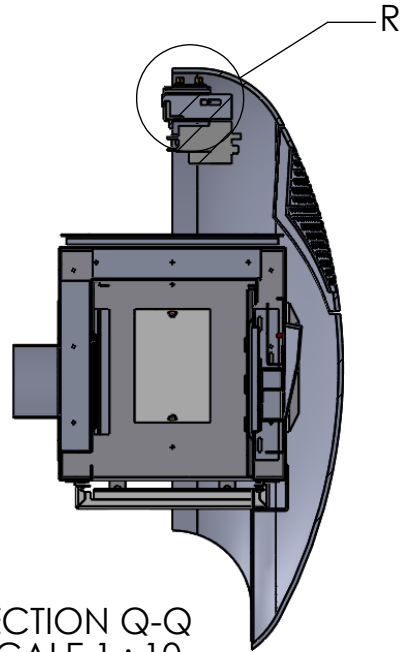


SECTION H-H
SCALE 1 : 10

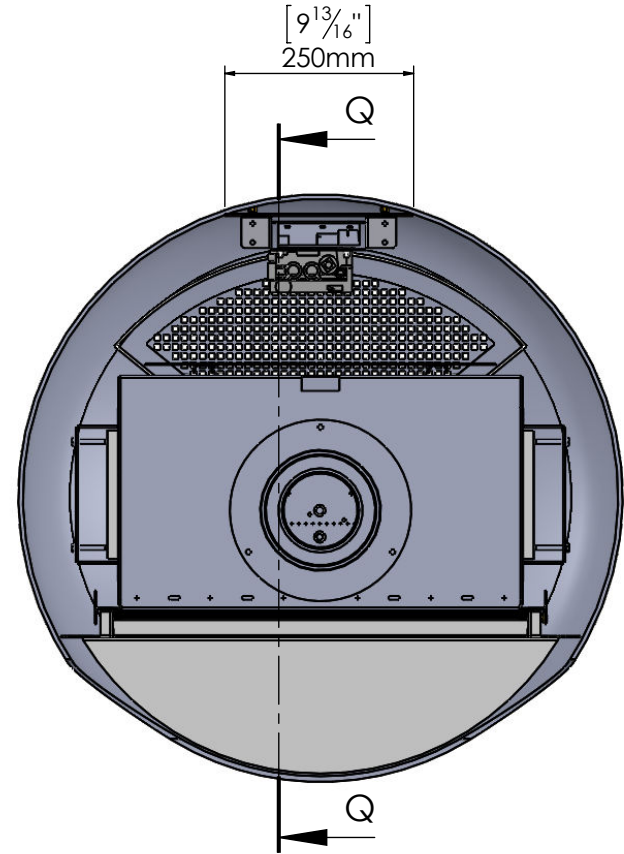


Ceeling

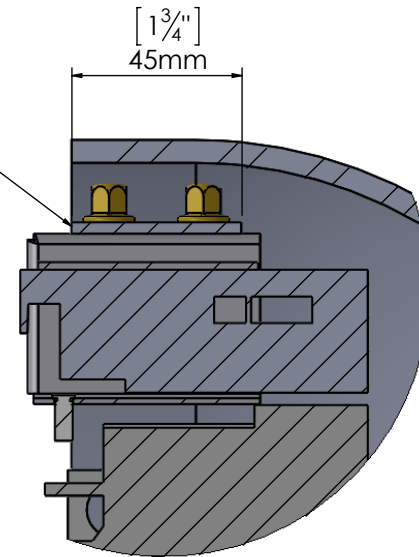
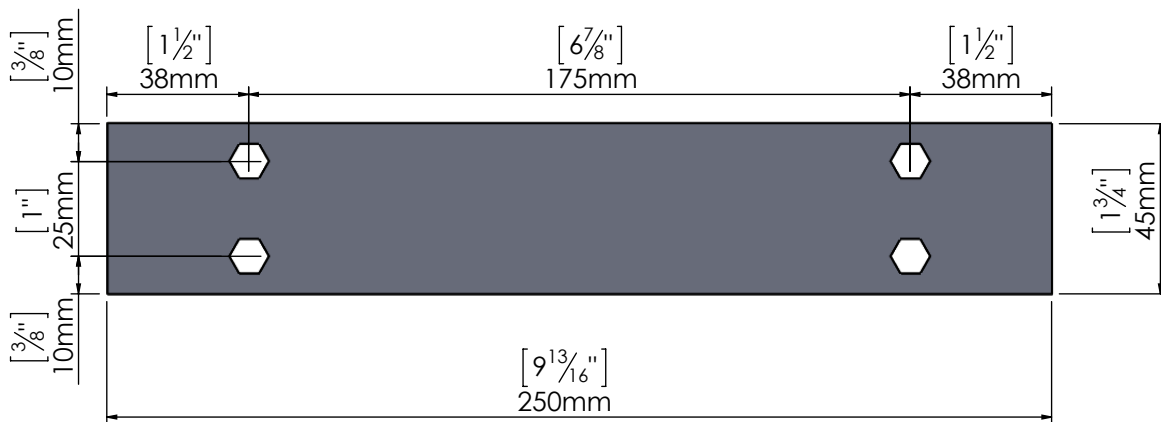




SECTION Q-Q
SCALE 1 : 10



the part that hold the receiver have to be weld
at the same plane of the bottom dome



DETAIL R
SCALE 1 : 2